

LED Spot Light Garden Lamp Kit



LVG554

Installation Instructions



This kit contains:

- 1 Low voltage transformer
- 10 metres of supply cable
- 4 x Spot lights and stakes
- 4 Cable connectors

Keep these instructions in a safe place for future reference

Arlec LED garden light kits are a low voltage, transformer powered range of garden lights to compliment your garden, providing fantastic ambient lighting for most outdoor environments.

They can be used to create subtle moods and highlight architectural elements throughout your garden or to light ponds, paths or steps for safety.

The Lights

The globes are non replaceable light emitting diodes (LED) type but have been designed to last for a long operating life.

To Assemble

Fit the stake to bottom of the lamp stem by screwing in.

Fit lead in cable of light to supply cable using the following instructions



CONNECTING GARDEN LIGHT TO LOW VOLTAGE CABLE

IMPORTANT: Low voltage cable is NOT to be used for 240 volt wiring.

Arlec low voltage cable is completely weatherproof and may be used above or below ground.

1. Additional cable can be joined to your existing cable either at the end of the length, or joined anywhere along the cable using an ARLEC LV700 cable connector.
2. Lay low voltage supply cable out in position in readiness for connecting your garden lamps.
3. Plug the transformer into a household power point and switch "ON". This will enable you to check light connections during installation. This operation is completely safe because the wiring is only carrying a low 12 volts.
4. Choose a position on the main supply cable where you wish to place the light.
5. Open the cable connector by unscrewing the top cover of the connector.
6. Fit the main supply cable into the slot provided in the connector. Keeping the cable straight; push it down onto the two spiked pins (Fig. 1). To ensure a good connection, it is ideal to see the pins poke through the top of the supply cable as it is pushed down.
7. Close the connector by screwing the top cover of the connector back on. (Fig 2).

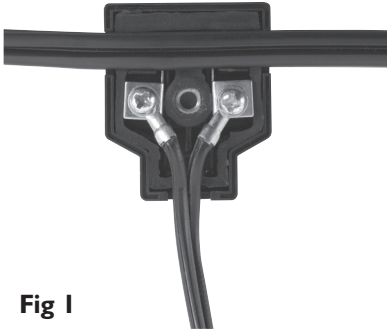


Fig 1

The Transformer

The Arlec transformer supplied with this kit is used to reduce the mains voltage from 240Vac down to a safe low operating voltage.

The transformer is also designed to be weatherproof and can be used outdoors, though if possible should be kept in sheltered position during operation.



Fig 2

TROUBLE SHOOTING AND USER HINTS

Problem	Possible Causes	Possible Solutions
Lights do not operate.	No power. Blown fuse. Low voltage cable has not been connected to transformer	Ensure transformer is plugged in and power is on. (Is the power point working?) Replace fuse. (Note: some transformers may not be fitted with fuse). Ensure the low voltage cable is connected to the transformer. (Is the connection firm?)
Lights do not switch on at dusk when using either the "Dusk Till Dawn" or "Timer" mode. (Daylight Sensor/Timer transformers only, or when using separate Time/Light Sensor).	Artificial light affecting Timer/Light Sensor (ie, street lights, car lights, etc). Timer/Light Sensor	Mount Timer/Light Sensor in a position where artificial lights do not affect its operation. To check light sensor: ensure switch is in either "Dusk Till Dawn" or "Timer Hour" position, cover sensor lens with black PVC tape (ensuring that no light gets in). The lights should switch on after a few seconds. If the lights have now switched on, the light sensor may simply require mounting in a position where artificial light cannot affect its operation.
Only some of the lights switch on.	Connecting pins in cable connector have not penetrated into cable. Globe not pressed into globe socket correctly. Globe blown.	Straighten pins with pliers then reconnect. Ensure globe is pushed firmly into position. Replace globe.
Light stays on for longer period than the timer suggests. Daylight Sensor/Timer transformers only, or when using separate Time/Light Sensor.	If the Timer/Light Sensor detects a light source (porch light, car light etc) during the time in which the garden lights are on, the transformer will switch the garden lights off and then re-start the pre-programmed time again when the light has passed.	Mount Timer/Light Sensor in a position where artificial light cannot affect its operation.

ARLEC GUARANTEE

Arlec guarantees this product against defects of materials and workmanship for a period of 1 year from the date of purchase provided that the product is used in accordance with Arlec's recommendations and within such voltage and current limits as are specified by Arlec in relation to the product. Arlec will at its own option make good, replace with the same or similar product, or provide credit for any product manufactured or supplied by it, which proves to be defective within the limits set out above provided that no repairs, alterations or modifications to the product have been undertaken or attempted, other than by the company or its authorised agents.

Should the purchaser wish to make a claim under the guarantee, the product should be returned pre-paid to the place of purchase.

This guarantee is in addition to and does not take away from any rights available to the consumer under the Trade Practices Act and the State consumer protection legislation.

Proof of Purchase

Please retain your receipt for all service or warranty claims



For all Sales and Service enquiries
Phone (03) 9727 8860 Fax 1300 350 650

© This instruction leaflet is subject to copyright and must not be reproduced, copied or otherwise used in any way or for any purpose without the consent in writing of the owner, Arlec Australia Pty Ltd (A.C.N. 009 322 105).

CPIN002060